

Mounting

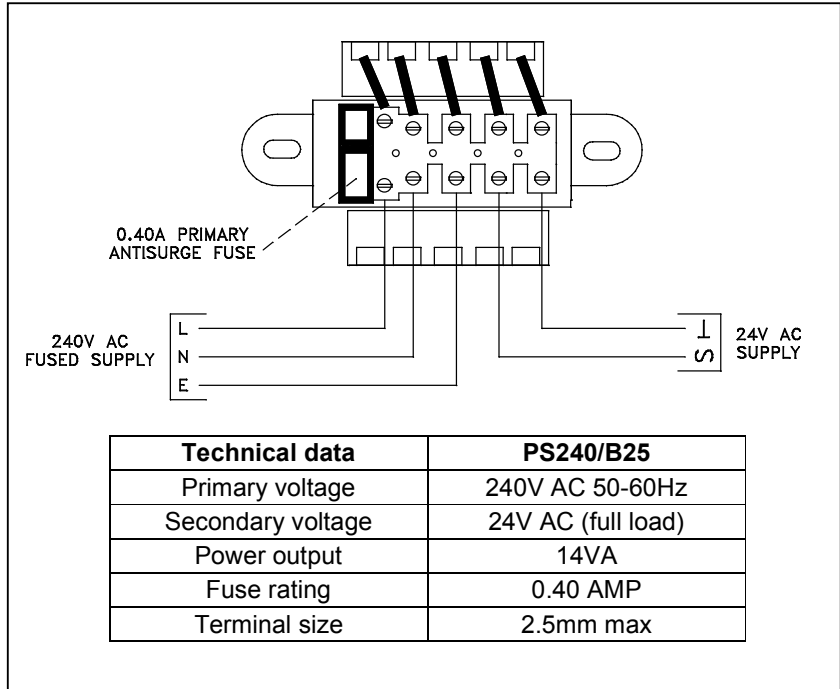
The PS240-B25 enclosure is screwed directly to the VAV unit. Primary and secondary cabling is via cable glands mounted in the bottom of the enclosure.

Note:- It is recommended that a 240V fused spur be mounted adjacent to the PS240-B25 to allow for local isolation of the transformer.

Application

The PS240-B24 is a purpose built 240/24V 25VA transformer mounted in an IP54 enclosure and is designed to be used with any of the Belimo VAV control products. The transformer is fitted with an integral primary 0.40A fuse to protect all the Belimo components wired to the transformer.

Typical wiring diagram



Mounting box dimensions

