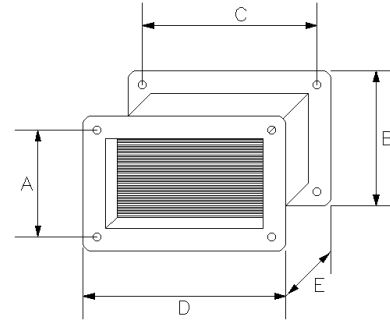
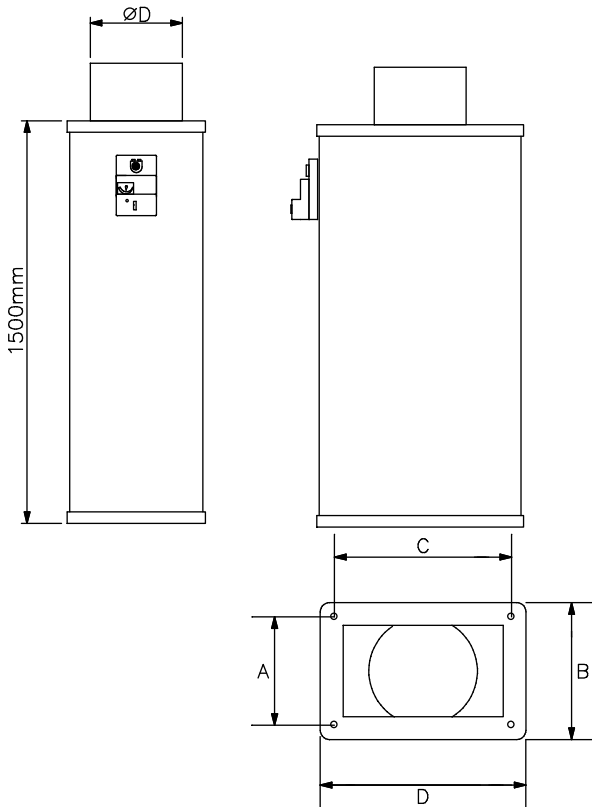


Box and re-heat dimensions

ØD	125mm	160mm	200mm	250mm	315mm
A	234	234	284	334	385
B	305	305	355	400	450
C	334	334	434	434	435
D	405	405	505	505	500
E	300	300	300	300	300



Ø Inlet	125mm	160mm	200mm	250mm	315mm
Factor	11.94	18.92	27.24	43.03	85.00
V-Nom l/s (100%)	145	250	445	665	1065

- To calculate the volume (l/s), record the differential pressure across the test T's with a micromanometer, square root the readings and multiply by the applicable factor.
- V-Nom calibration shown is recommended level for 100%

NOISE DATA

	Air Velocity m/s	Air Volume l/s	Min ΔP Pa	Discharge sound level (LpA)				Radiated sound level (LpA)			
				100 Pa	200 Pa	400 Pa	800 Pa	100 Pa	200 Pa	400 Pa	800 Pa
				dB(A)				dB(A)			
125 V-nom 445l/s	2	23	2	-	-	20	19	-	-	21	23
	4	47	10	-	18	20	26	-	-	23	28
	6	70	23	17	22	25	32	-	19	26	31
	8	93	41	19	25	31	35	-	25	33	38
	10	117	65	21	26	33	37	20	24	31	36
	12	140	87	25	28	31	33	35	33	35	39
160	2	39	2	-	-	22	23	-	-	22	27
	4	78	10	-	-	25	27	-	18	26	31
	6	116	22	21	24	30	33	-	21	28	33
	8	155	39	24	27	33	36	18	24	31	36
	10	194	61	24	30	34	39	21	27	33	38
	12	230	87	27	31	36	36	30	32	36	40
200	2	61	2	-	-	23	29	-	-	22	29
	4	122	10	20	21	38	34	-	20	27	34
	6	183	19	22	26	32	37	-	24	29	37
	8	244	35	24	30	35	39	19	26	32	39
	10	305	54	26	32	38	43	23	29	34	41
	12	365	78	27	30	33	37	45	36	39	43
250	2	96	2	-	20	29	36	-	-	21	28
	4	192	9	21	28	34	40	-	22	28	34
	6	287	18	25	31	39	37	18	25	32	37
	8	383	33	29	34	41	47	22	28	34	40
	10	479	51	32	38	43	48	25	31	36	42
	12	575	74	31	34	37	40	46	38	39	46
315	2	155	2	-	-	22	24	31	24	31	35
	4	305	9	-	25	30	31	34	28	35	41
	6	460	17	24	30	34	37	36	31	38	44
	8	610	29	26	31	36	40	38	34	40	46
	10	765	46	27	33	38	42	39	36	41	47
	12	915	66	29	35	40	44	41	38	43	48