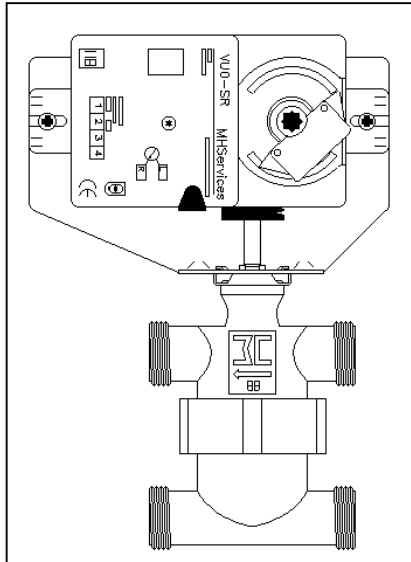


**Modulating 2-10V DC actuator for use with VU0 range of 2, 3 or 4 port unit valves and a direct replacement for Belimo KM24-S/ZME3A valve actuators**



**Actuator application**

The VU04 valve is modulated by the VU0A-SR/ZME3A valve actuator with a 2-10V DC signal from either a stand-alone electronic temperature controller or suitable BMS signal.

The VU0A-SR/ZME3A actuator is mounted directly onto the valve body with a simple bayonet connection and comes with a 1.5m numbered connection lead for easy connection.

**Valve application**

The VU04 four-port, three way diverting valves are designed for use on VAV LPHW re-heat coils or fan coil units and provide quick and easy installation with the built in bypass.

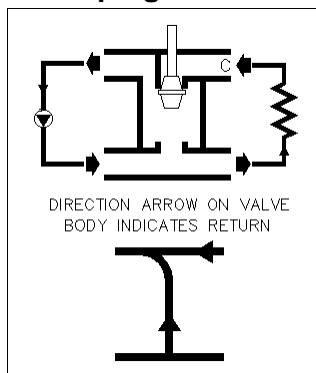
**Valve types**

- VU04-B06 Four port valve kvs 0.6 (valve stamped 28)
  - VU04-B10 Four port valve kvs 1.0 (valve stamped 36)
  - VU04-B16 Four port valve kvs 1.6 (valve stamped 46)
  - VU04-B25 Four port valve kvs 2.5 (valve stamped 55)
- Other 2 and 3 port configurations of valves are available on request

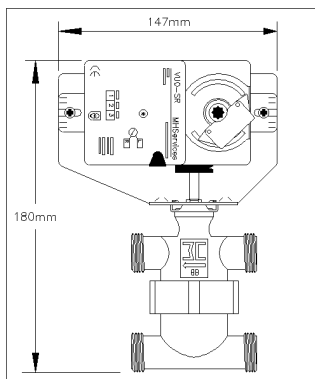
VU0A-SR/ZME3A valve actuator technical data	
Nominal voltage	AC 24V 50/60Hz DC 24V
Power consumption	2W (for wire sizing 4VA)
Connecting cable	1.5m long 4 x 0.75 mm <sup>2</sup>
Control signal Y	DC 2...10V @ input resistance = 100kΩ
Measuring voltage	DC 2...10V @ ≤ 0.5 mA
Torque	Min. 4Nm (at rated voltage)
Protection class	III (safety low voltage)
Degree of protection	IP54

VU04 valve technical data	
Valve body	Forged brass
Nominal pressure	PN16
Close off pressure	2 kg/cm
Water connections	½ " parallel male (compression fittings available).
Water temperature	+2...90°C
0 Volt position	Valve closed / bypass open
Valve mounting	Vertical or horizontal (must not be inverted)

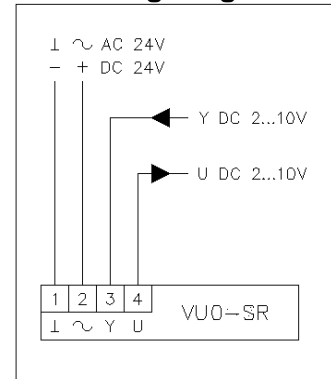
**Piping details**



**Valve & actuator size**



**Wiring Diagram**



Note:- The direction arrow on the VU04 valve body indicates return direction.